

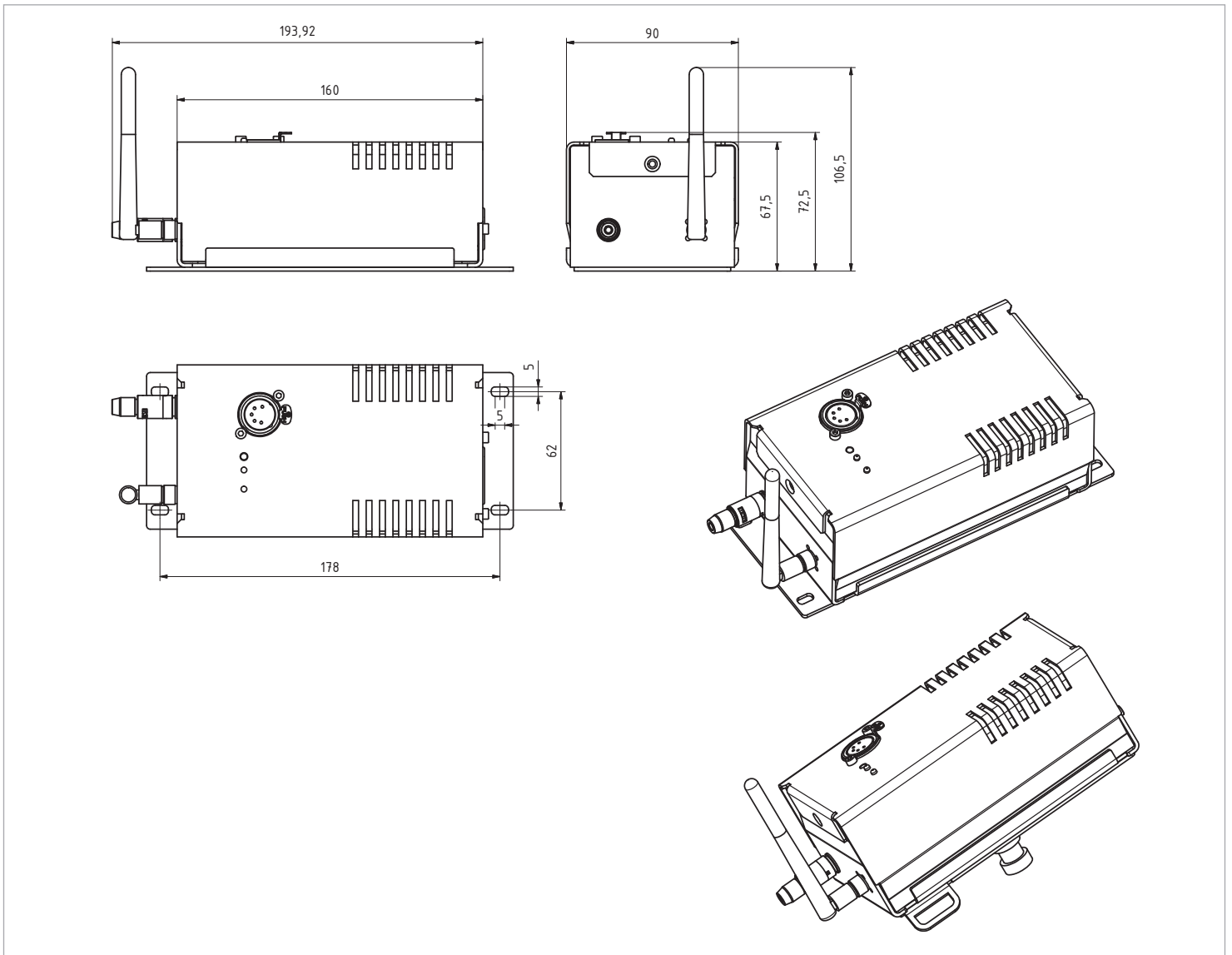
# BlueLite G4

ultimate wireless DMX512 transmission



## TECHNICAL SPECIFICATION

	DMX Transmitter TX	DMX Receiver RX
<b>Voltage input range</b>	100-240 VAC / 12VDC	100-240 VAC / 12VDC
<b>External input</b>	12VDC via lockable plug	12VDC via lockable plug
<b>Power consumption</b>	~10W 50/60 Hz	~10W 50/60 Hz
<b>Connector DMX</b>	XLR 5pin male / IN	XLR 5pin female / OUT
<b>RDM</b>	✓	✓
<b>DMX512</b>	✓	✓
<b>Frequency range</b>	2,4GHz	2,4GHz
<b>Multi-point</b>	✗	up to 512 RX per Transmitter
<b>max. Number of devices</b>	16 TX per application area	✗
<b>Transmission</b>	2dBi / 360° / max 100mW	2dBi / 360° / max 100mW
<b>Transmission capacity</b>	max. 512DMX channels per set	max. 512DMX channels per set
<b>Transmission distance</b>	500m	✗
<b>Weight / Dimension</b>	0,60 kg   160 × 90 × 67,5 mm (L × W × H)	0,60 kg   160 × 90 × 67,5 mm (L × W × H)
<b>Aluminium housing anodized</b>	✓	✓
<b>Housing colour : black/orange</b>	✓	✓
<b>Protection Class - IP20</b>	✓	✓
<b>Protection Class - IP20 Conformity</b>	EN50081, EN50082, EN55014, EN55022 EN60950, EN61000-3-2, EN61000-3-3	EN50081, EN50082, EN55014, EN55022 EN60950, EN61000-3-2, EN61000-3-3



**LDDE**  
LIGHTING IDEAS

Lighting  
Design  
Development  
Electronics

LDDE Vertriebsgesellschaft m. b. H.  
Simmeringer Hauptstr. 357, 1110 Vienna, Austria  
P: +43 1 7671811 0, F: +43 1 7671811 99  
E: office@ldde.com, W: www.ldde.com