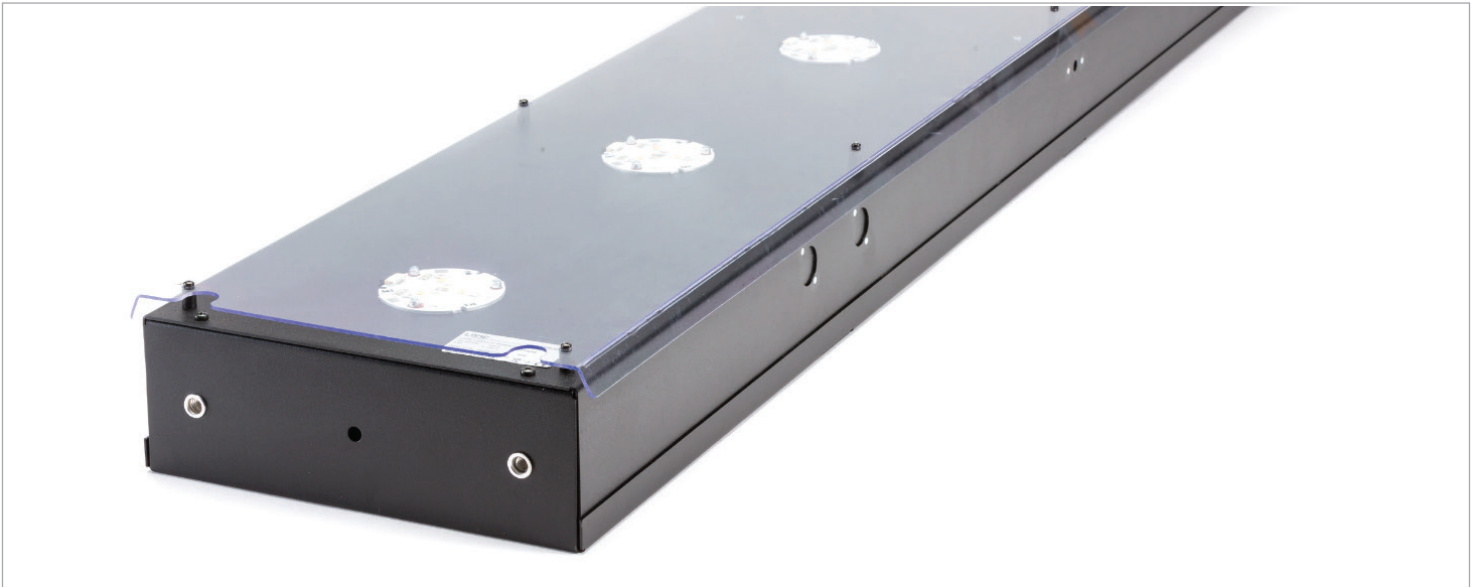


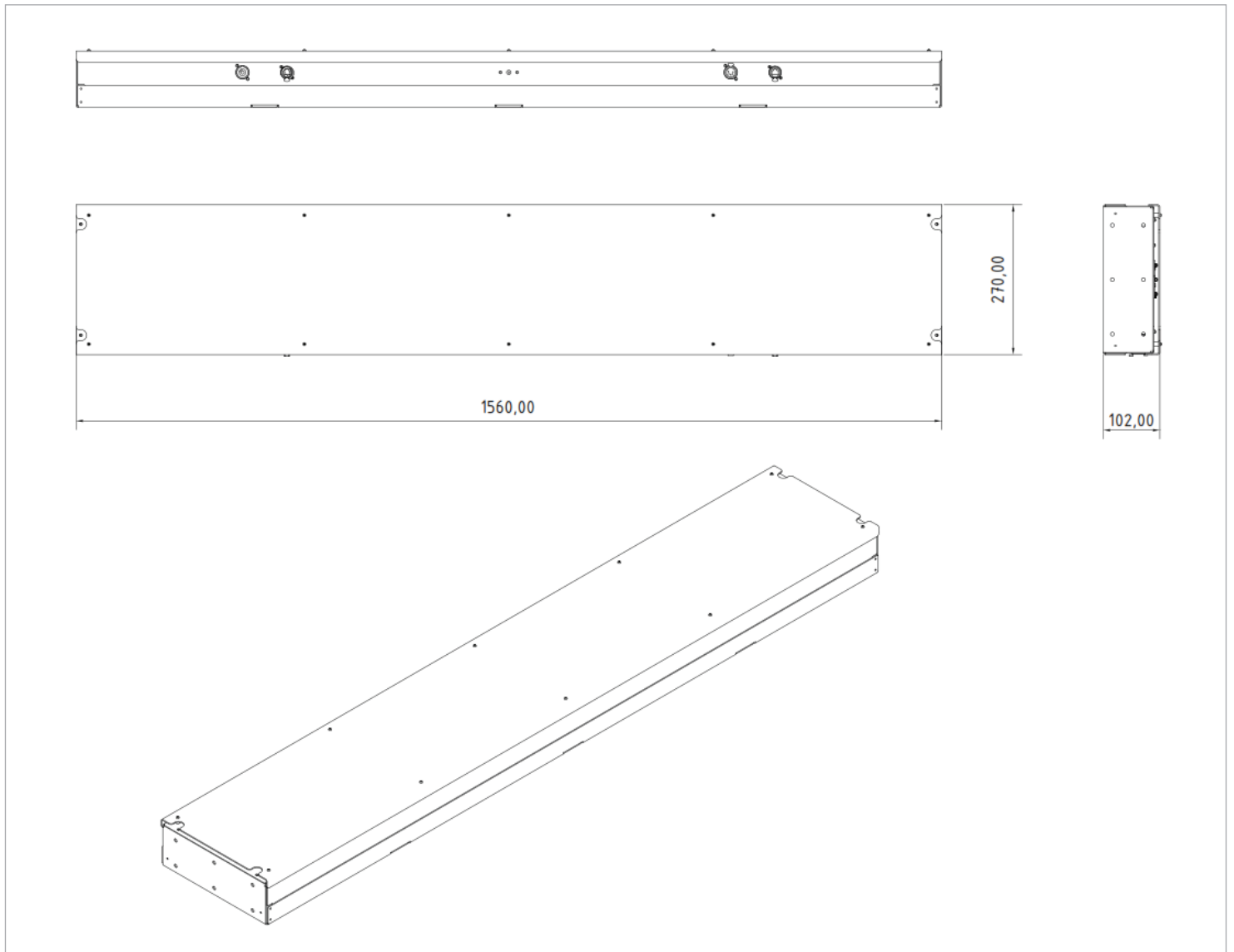
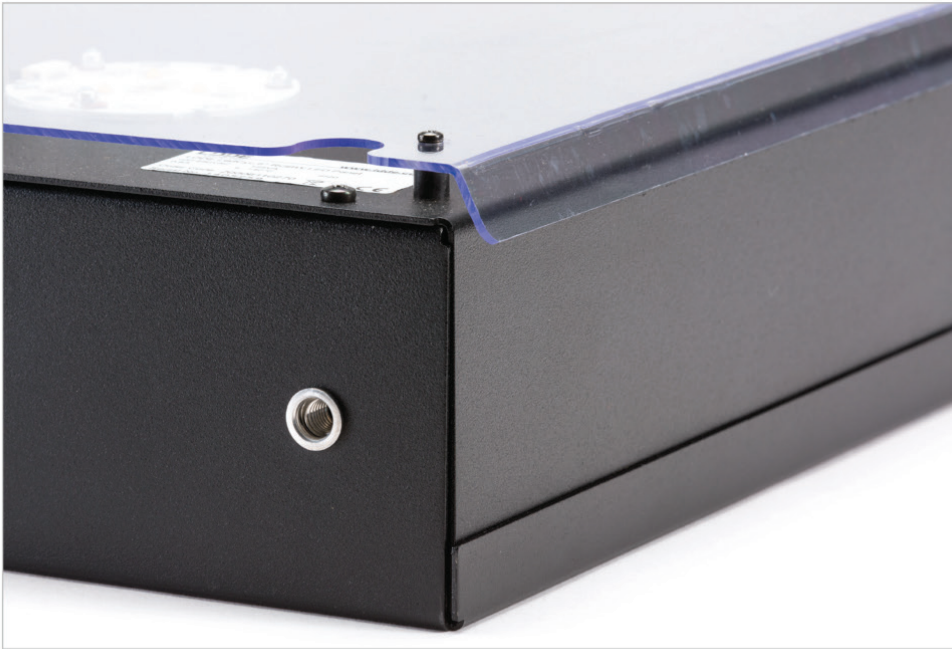
LedCyc6*FC LED panel

LED Media panel for backlighting diffusion films for professional use in TV studios and stages



technical specification

Voltage input range	100...240 VAC 50/60 Hz
Power consumption	max. 125 W / 0,6 A
Control	USITT DMX512/1990, ArtNet*, e:cue Net* (*only with Distribution-Box)
DMX Channels	4 channels (Compact-Mode), 24 channels (Pixel-Mode)
Total Pixel	6 power LED engines RGB or RGBW
Pixel pitch	270 mm
Exit angle	120°
HDTV „flicker-free“	✓
Construction	Aluminium housing in black or white powder-coated
Dimensions	1560 × 270 × 102 mm (L × W × H)
Weight	about 8 kg
Convection cooling for silent operation	✓
Operating temperature range (ambient)	5 °C to a maximum 40 °C (Ta)
Protection Class	IP20
Conformity	EN 50589-1, EN 50589-2, EN 55103-1, EN 55103-2, EN 61000-3-2, EN 61000-3-3



LDDE
LIGHTING IDEAS

Lighting
Design
Development
Electronics

LDDE Vertriebsgesellschaft m. b. H.
Simmeringer Hauptstr. 357, 1110 Vienna, Austria
P: +43 1 7671811 0, F: +43 1 7671811 99
E: office@ldde.com, W: www.ldde.com