

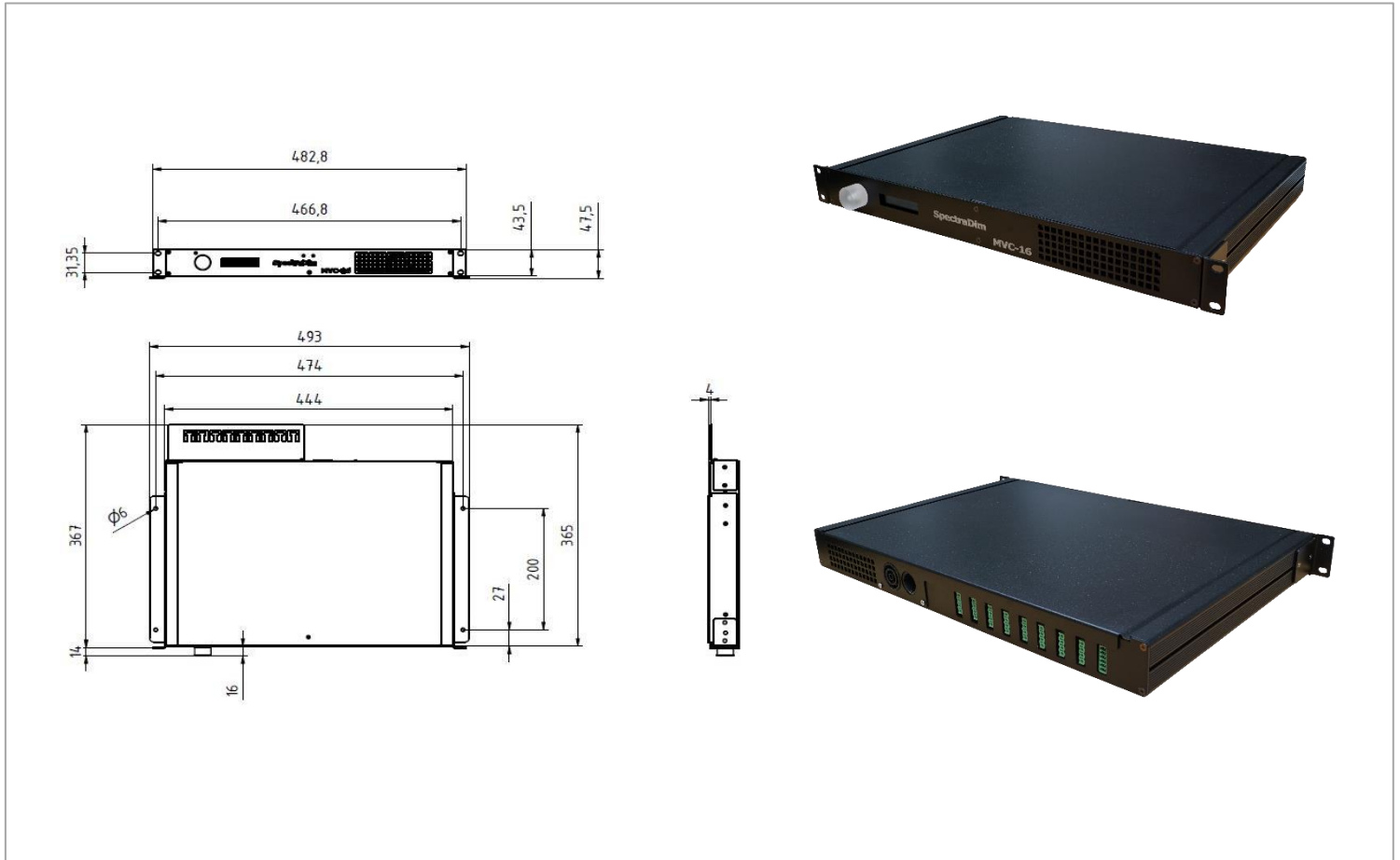
# MVC-16-Dimmer

PWM LED dimmer for 2x8 channels constant voltage / constant current LED strips, COB or LED modules



## technical specification

<b>Voltage input range</b>	1x 230 VAC
<b>Input current</b>	4A / 2xMVC-16 @ 16A Type C Breaker
<b>Output</b>	8 x 2 - 16 Outputs constant current / constant voltage configurable @Order @LDDE CC1A (max. 1A) / CC2A (max 2A) / CV (max 4A)
<b>USITT DMX 512/1990</b>	✓   (KNX / DALI on request)
<b>Control channels</b>	1 / 16 – 2 / 32
<b>Dimmer Output</b>	16 -bit
<b>PWM Frequency</b>	1500 / 3000   HDTV tauglich
<b>Supply Voltage</b>	2 Slots Configurable @Order @LDDE   12 / 24 / 48 V
<b>DMX hold</b>	✓
<b>Fade to Zero</b>	✓
<b>Manual mode</b>	✓
<b>Display &amp; rotarypush button</b>	2x16 Characters   ✓
<b>Metal housing powder coated</b>	✓
<b>Weight / Dimension</b>	max. 5200g Wall Mount W x L x H 493 x 381 x 47,5 mm 19" 483 x 381 x 43,5 mm (1HE+1HE empty above)
<b>Connections Data/Power</b>	Connector IN 0,2-1,0 mm <sup>2</sup> (Push in Terminals) Connector OUT 0,2-2,5 mm <sup>2</sup> (Push in Terminals) TRUE ONE IN/OUT
<b>Protection Class – IP20</b>	✓
<b>Operating temperature</b>	0°C to 50°C
<b>Conformity</b>	EN 55015, EN 61547, EN 61000-6-2 EN 61000-6-4, EN 61000-3-2, EN 61000-3-3



### Anzeige und Dreh-Drückknopf

DIE ANZEIGE BESTEHT AUS 2X16 ZEICHEN. DIE BEDIENUNG ERFOLGT KOMFORTABEL MIT DEM FÄRBIG LEUCHTENDEN DREH UND DRÜCKKNOPF

### Display / rotary-push-encoder

THE DISPLAY HAS 2 X16 CHARACTERS. OPERATION IS CONVENIENT WITH THE BRIGHTLY COLORED ROTARY AND PUSH BUTTON