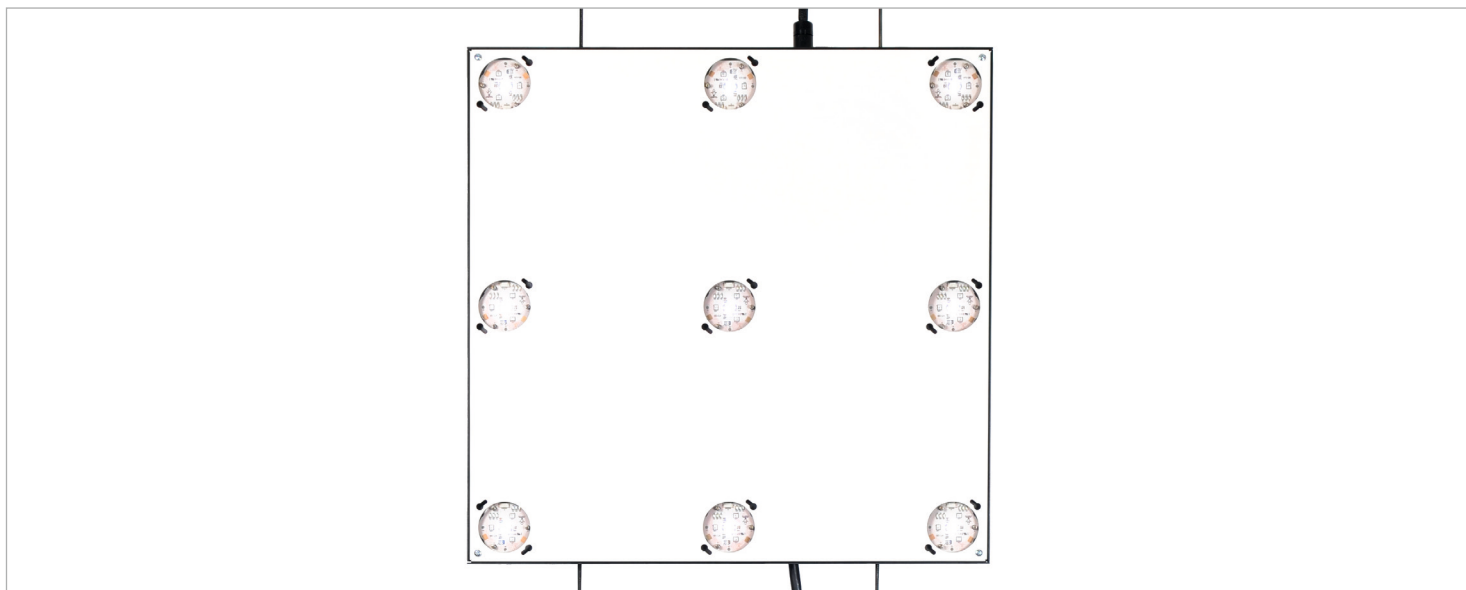


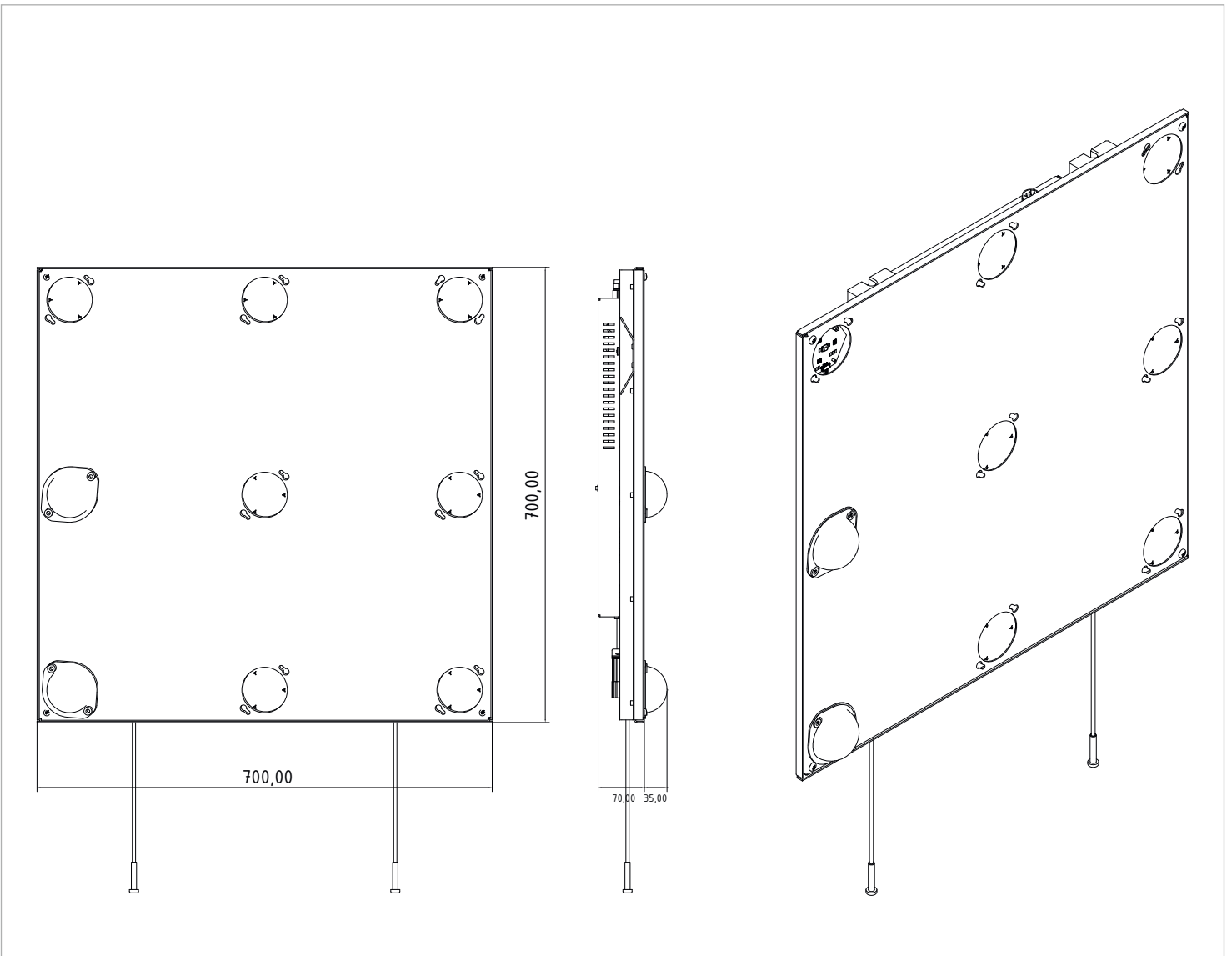
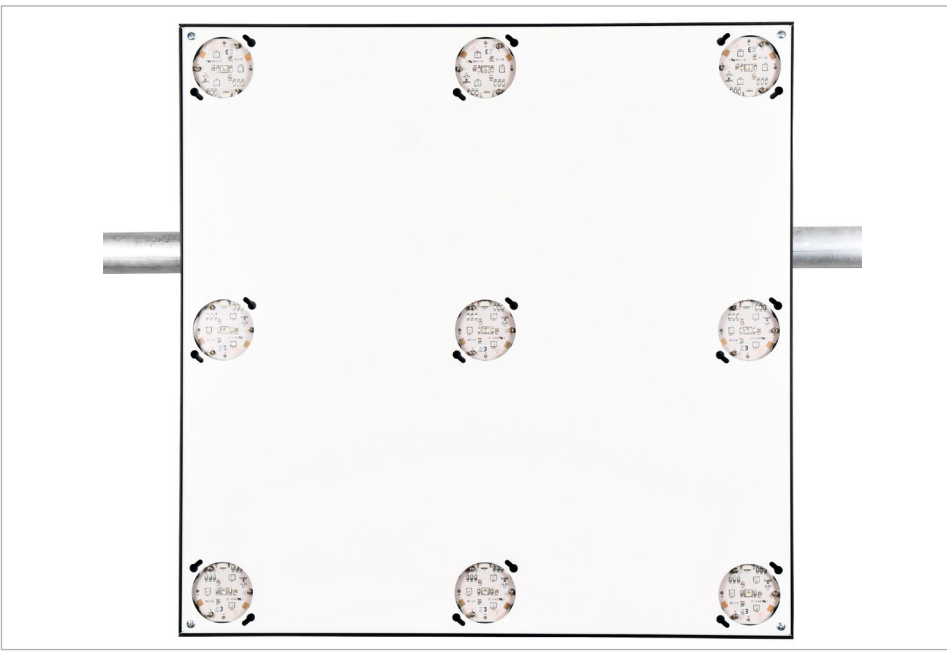
LedCyc9*FC LED panel

LED Media panel for backlight and projection capabilities on the surface for professional stage & entertainment



TECHNICAL SPECIFICATION

Voltage input range	100...240 VAC 50/60 Hz
Power consumption	max. 165 W / 0,75 A
Control	USITT DMX512/1990, ArtNet*, e:cue Net* (*only with distribution box)
DMX Channels	4 channels (panel mode), 36 channels (Pixel-Mode)
Total Pixel	9 power LED engines RGB or RGBW
Pixel pitch	300 × 300 mm
Exit angle	120°
HDTV „flicker-free“	✓
Construction	Aluminium housing in black or white powder-coated
Dimensions	700 × 700 × 75 mm (L × W × H)
Weight	about 10,5 kg
Mounting	steel cable mounting system and CamLock
Operating temperature range (ambient)	5 °C to a maximum 40 °C (Ta)
Convection cooling for silent operation	✓
Connections	power/data multicore bajonet connector (100...240 VAC + DMX512)
Protection class	IP20
Conformity	EN 50589-1, EN 50589-2, EN 55103-1, EN 55103-2, EN 61000-3-2, EN 61000-3-3



LDDE
LIGHTING IDEAS

Lighting
Design
Development
Electronics

LDDE Vertriebsgesellschaft m. b. H.
Dreherstrasse 64, 1110 Vienna, Austria
P: +43 1 7671811 0, F: +43 1 7671811 99
E: office@ldde.com, W: www.ldde.com